



*Easy To Move*

*Locks in Place*

*Up to 125 lbs of Stability*

*Avoid Heavy Lifting*

# Rolling Umbrella Base

## The World's Most Advanced Umbrella Base Ever

- The base is made of durable, maintenance-free, high-density polyethylene.
- The center post holds the umbrella pole in a straight upright position.
- The four high quality wheels are non-marking and move easily.
- The two locking wheels are easy to engage and provide added stability.



*It Rolls*



*It Turns*

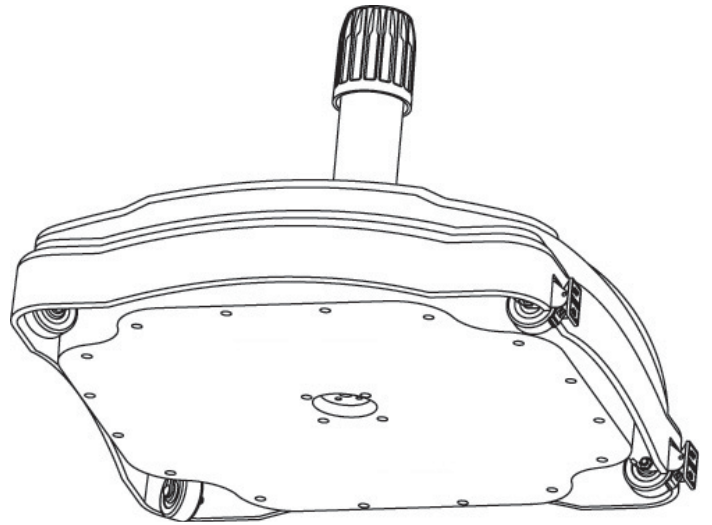
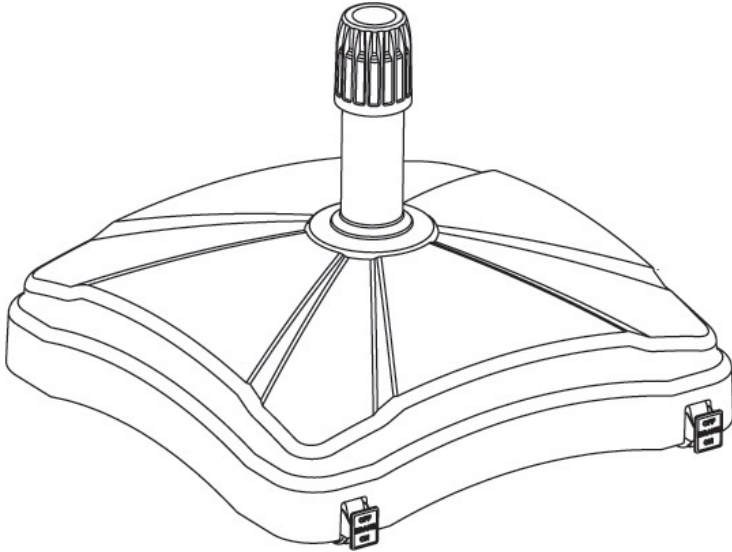


*It Pivots*



**Rolling Umbrellas LLC**  
**Danville CA**  
**(925) 820-7800**  
**(866) 752-3366 Toll Free**  
[www.RollingUmbrellas.com](http://www.RollingUmbrellas.com)

# Rolling Umbrella Base



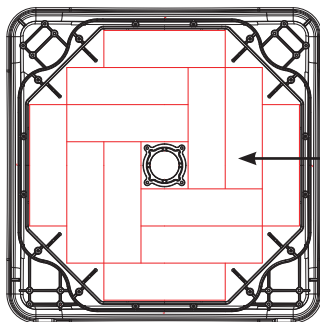
Empty Weight = 20 lbs

Filled Weight: (Approx.)

Bricks = 90 lbs

Sand = 110 lbs

Sand & Bricks = 125 lbs



Brick Pattern

Available in Sandstone or Black

Unit Dimensions:

22" L x 22" W x 16.5" H

Fits Standard 1.5" Umbrella Pole  
2" Post Sold Separately



Made in USA

Patented and  
Patents Pending

**Shademobile**<sup>®</sup>  
ROLLING UMBRELLA BASES